



Compatible with:  
PB15 PixelBrick



Essential grip for mounting Astera tubes to walls, truss and other structures.

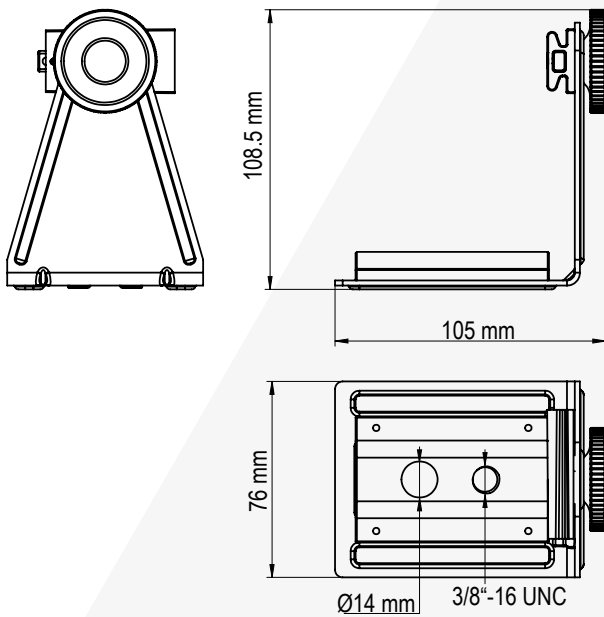
### Bracket on PixelBrick



## SPECIFICATIONS

Order Code Holder	PB15-BBR
Dimensions (mm/inch)	108.5 x 105 x 76 / 4.3 x 4.1 x 3
Thread	3/8"-16 UNC
Weight (kg/lbs)	0.27 / 5.59
Material	Stainless Steel

## DRAWINGS



### AirlineTrack on bottom for mounting

